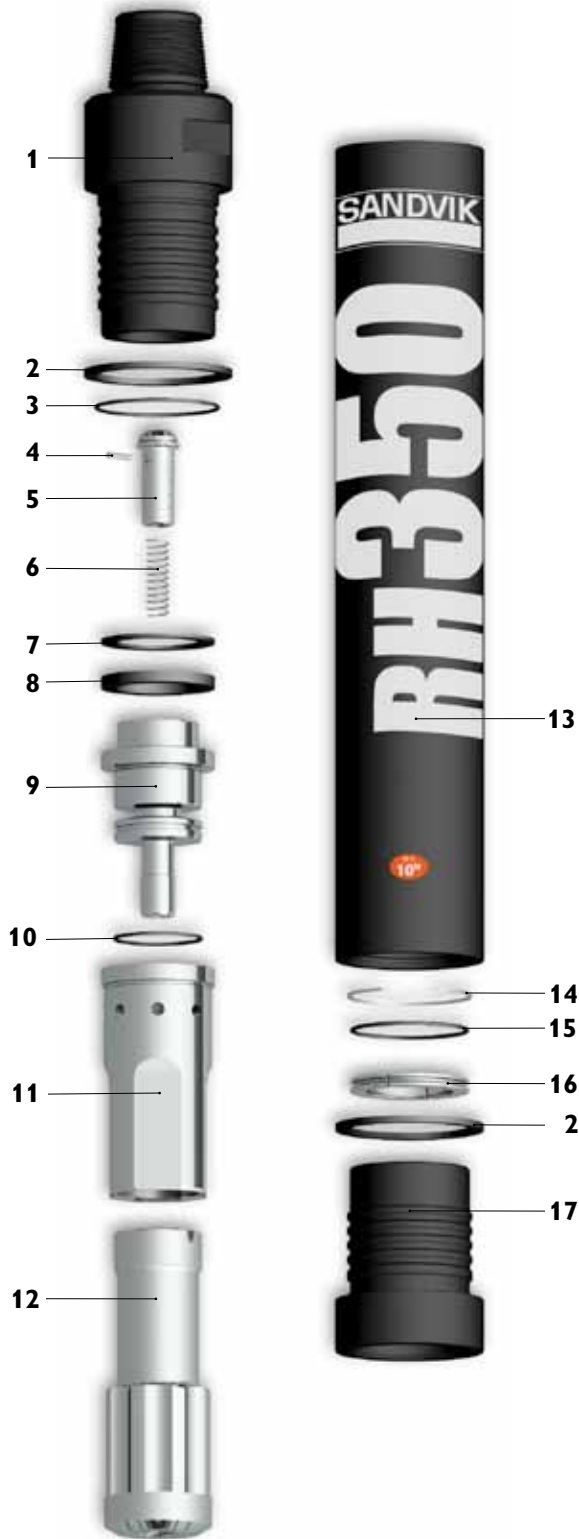


# RH350 / SD 10 shank

# 10''

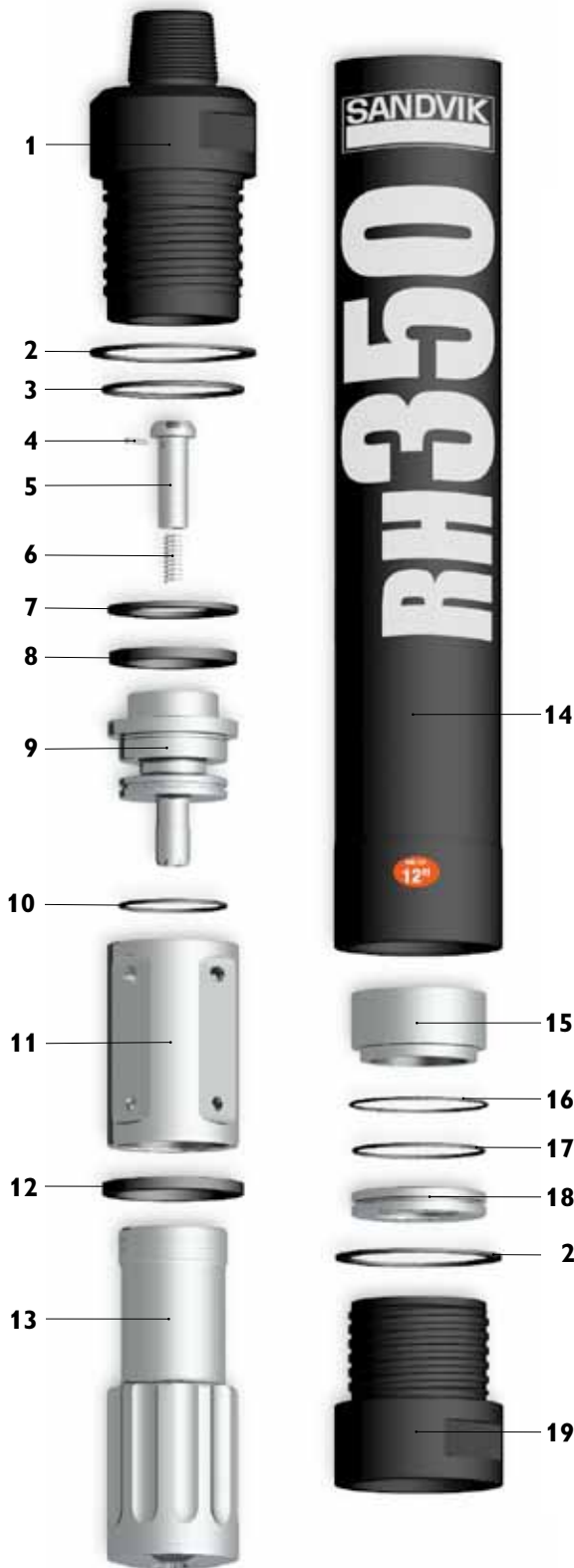


Replacement parts Item description	Weight		Part No.
	kg	lb	
1. Top Sub 6 5/8" API Reg. Pin	90	198	BG00029652
2. Break Out Ring	0,8	1,76	BG00029666
3. O-Ring, Top Sub			In Seal Kit
4. Check Valve	0,7	1,54	BG00029667
5. Choke, blank	0,01	0,022	BG00047875
Choke, 1/4"	0,01	0,022	BG00047876
Choke, 3/8"	0,01	0,022	BG00047877
Choke, 1/2"	0,01	0,022	BG00047878
6. Check Valve Spring	0,08	0,176	BG00029670
7. Spacer	0,9	1,98	BG00029668
8. Make Up Ring	0,2	0,44	BG00029669
9. Rigid Valve	17	37,4	BG00029671
10. O-Ring, Rigid Valve			In Seal Kit
11. Inner Sleeve	15	33	BG00029672
12. Piston	46	101,2	BG00029674
13. Piston Case	160	352	BG00029673
14. Piston Retainer Ring	0,1	0,22	BG00029675
15. O-Ring, Bit Retainer Ring			In Seal Kit
16. Bit Retainer Ring	1,85	4,07	BG00029676
17. Driver Sub	26	57,2	BG00029677
<b>Seal kit</b>			
1 of 3, 1 of 10, 3 of 15	0,3	0,66	BG00032790
<b>Complete hammer</b>			
6 5/8 API Reg Pin			32-3510-SSA/39S
<b>Bit shank</b>			
SD10			

	Weight		Outside diameter		Hammer length		Hammer length with bit			
	kg	lb	mm	inch	mm	inch	Bit closed		Bit extended	
	kg	lb	mm	inch	mm	inch	mm	inch	mm	inch
	360	795	226	8,9	1480	58,3	1640	64,6	1690	66,5
Air consumption, cfm					Air consumption, m3/min					
150 psi	200 psi	250 psi	300 psi		10 bar	14 bar	17 bar	21 bar		
690	980	1290	1610		19,5	27,8	36,5	45,6		

# RH350 / DHD 112 shank

# 12''



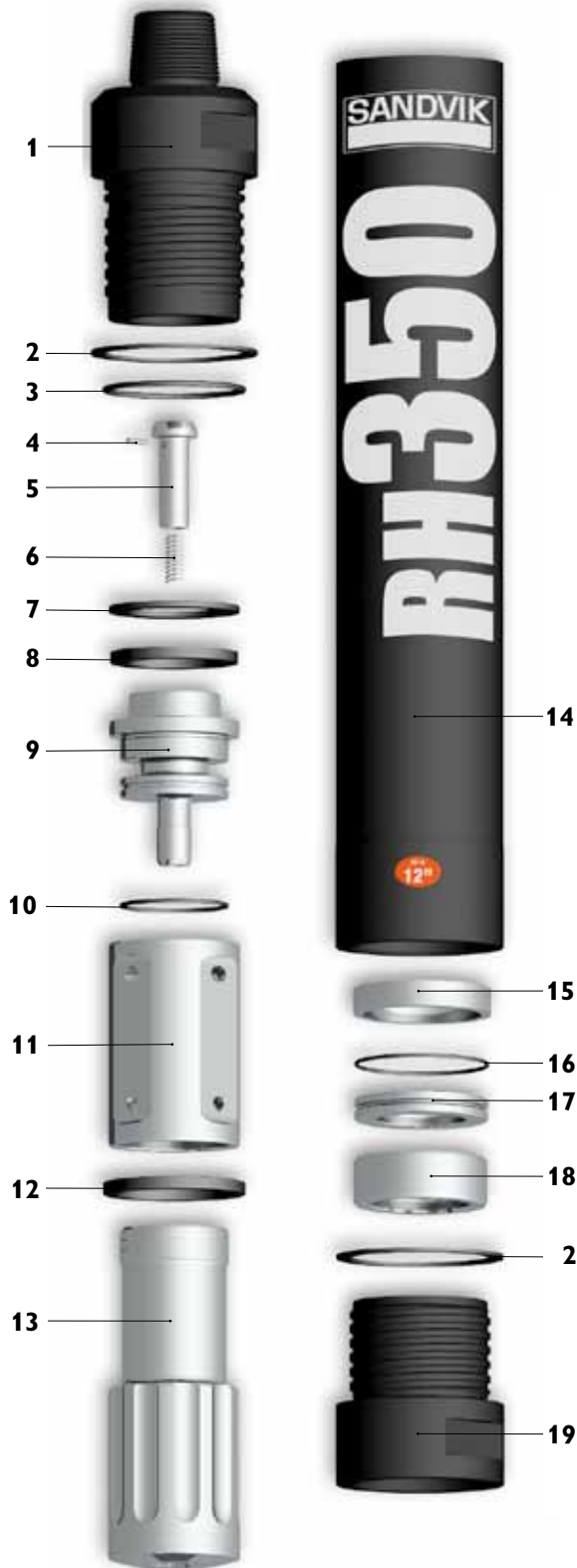
Replacement parts	Item description	Weight		Part No.
		kg	lb	
1.	Top Sub 6 5/8" API Reg. Pin	134	294,8	BG00031105
2.	Break Out Ring	2	4,4	BG00031108
3.	O-Ring, Top Sub			In Seal Kit
4.	Check Valve	0,81	1,782	BG00047947
5.	Choke, blank	0,1	0,22	BG00031109
	Choke, 1/4"	0,1	0,22	BG00047949
	Choke, 3/8"	0,1	0,22	BG00047950
	Choke, 1/2"	0,1	0,22	BG00047951
6.	Check Valve Spring	0,18	0,396	BG00054450
7.	Spacer	1,4	3,08	BG00031110
8.	Make Up Ring	0,15	0,33	BG00031111
9.	Rigid Valve	26	57,2	BG00031112
10.	O-Ring, Rigid Valve			In Seal Kit
11.	Inner Sleeve	22	48,4	BG00031113
12.	Stop Ring	1,4	3,08	BG00031114
13.	Piston	125	275	BG00031115
14.	Piston Case	235	517	BG00031116
15.	Bushing	14,4	31,68	BG00031403
16.	Bushing Stop Ring	0,15	0,33	BG00031404
17.	O-Ring, Bit Retainer Ring			In Seal Kit
18.	Bit Retainer Ring	6,5	14,3	BG00031405
19.	Driver Sub	53	116,6	BG00031406
<b>Seal kit</b>				
	1 piece of 3, 1 of 10, 3 of 17	0,3	0,66	BG00032791
<b>Complete hammer</b>				
	6 5/8 API Reg Pin			32-3512-SDA/39S
<b>Bit shank</b>				
	DHD112			



	Weight		Outside diameter		Hammer length		Hammer length with bit			
	kg	lb	mm	inch	mm	inch	Bit closed		Bit extended	
	kg	lb	mm	inch	mm	inch	mm	inch	mm	inch
	620	1365	275	10,8	1750	68,9	2004	78,9	2054	80,9
Air consumption, cfm					Air consumption, m3/min					
150 psi	200 psi	250 psi			10 bar	14 bar	17 bar			
880	1250	1700			24,9	35,4	48,1			

# RH350 / SD 12 shank

# 12''



Replacement parts Item description	Weight		Part No.
	kg	lb	
1. Top Sub 6 5/8" API Reg. Pin	134	294,8	BG00031105
2. Break Out Ring	2	4,4	BG00031108
3. O-Ring, Top Sub			In Seal Kit
4. Choke, blank	0,1	0,22	BG00047947
Choke, 1/4"	0,1	0,22	BG00047949
Choke, 3/8"	0,1	0,22	BG00047950
Choke, 1/2"	0,1	0,22	BG00047951
5. Check Valve	0,81	1,782	BG00031109
6. Check Valve Spring	0,18	0,396	BG00054450
7. Spacer	1,4	3,08	BG00031110
8. Make Up Ring	0,15	0,33	BG00031111
9. Rigid Valve	26	57,2	BG00031112
10. O-Ring, Rigid Valve			In Seal Kit
11. Inner Sleeve	22	48,4	BG00031113
12. Stop Ring	1,4	3,08	BG00031114
13. Piston	125	275	BG00054499
14. Piston Case	235	517	BG00054500
15. Piston Retainer Pin	0,1	0,22	BG00031117
16. O-Ring, Bit Retainer Ring			In Seal Kit
17. Bit Retainer Ring	6,5	14,3	BG00031118
18. Guide Sleeve	10	22	BG00031121
19. Driver Sub	50	110	BG00031122
<b>Seal kit</b>			
1 piece of 3, 1 of 10, 3 of 16	0,3	0,66	BG00032791
<b>Complete hammer</b>			
6 5/8 API Reg Pin			32-3512-SSA/39S
<b>Bit shank</b>			
SD12			

	Weight		Outside diameter		Hammer length		Hammer length with bit			
	kg	lb	mm	inch	mm	inch	Bit closed		Bit extended	
							mm	inch	mm	inch
	618	1360	275	10,8	1729	68,1	1984	78,1	2034	80,1
Air consumption, cfm					Air consumption, m3/min					
150 psi	200 psi	250 psi			10 bar	14 bar	17 bar			
880	1250	1700			24,9	35,4	48,1			



Replacement parts	Item description		Weight		Part No.
	kg	lb	kg	lb	
1.	240	528			BG00032389
2.	2,4	5,28			BG00032528
3.					In Seal Kit
4.	0,1	0,22			BG00047952
	0,1	0,22			BG00047953
	0,1	0,22			BG00047954
	0,1	0,22			BG00047957
5.	0,6	1,32			BG00032529
6.	0,26	0,572			BG00032533
7.	1,8	3,96			BG00032530
8.	0,2	0,44			BG00032531
9.	55	121			BG00032536
10.					In Seal Kit
11.	33	72,6			BG00032540
12.	180	396			BG00032546
13.	500	1100			BG00032543
14.	7,5	16,5			BG00032547
15.	0,1	0,22			BG00032548
16.					In Seal Kit
17.	9	19,8			BG00032551
18.	19,5	42,9			BG00032552
19.	85	187			BG00032553
<b>Seal kit</b>					
1 piece of 3, 1 of 10, 3 of 16	0,3	0,66			BG00032792
<b>Complete hammer</b>					
7 5/8 API Reg Pin					32-3515-SSA/15S
<b>Bit shank</b>					
SD15					



	Weight		Outside diameter		Hammer length		Hammer length with bit			
	kg	lb	mm	inch	mm	inch	Bit closed		Bit extended	
	kg	lb	mm	inch	mm	inch	mm	inch	mm	inch
	1100	2420	360	14,2	1904	75	2160	85	2210	87
<b>Air consumption, cfm</b>					<b>Air consumption, m3/min</b>					
150 psi	200 psi	250 psi			10 bar	14 bar	17 bar			
1650	2090	2680			46,7	59,2	75,9			

# RH350 / SD 18 shank

# 18''



Replacement parts Item description	Weight		Part No.
	kg	lb	
1. Top Sub 8 5/8 API Reg Pin	333	732,6	BG00032612
2. Break Out Ring, Upper	2,6	5,72	BG00032613
3. O-Ring, Top Sub			In Seal Kit
4. Choke, blank	0,1	0,22	BG00047958
Choke, 1/4"	0,1	0,22	BG00047959
Choke, 3/8"	0,1	0,22	BG00047960
Choke, 1/2"	0,1	0,22	BG00047961
5. Check Valve	0,6	1,32	BG00032614
6. Check Valve Spring	0,26	0,572	BG00032615
7. Spacer	2,8	6,16	BG00032616
8. Make Up Ring	0,23	0,506	BG00032617
9. Rigid Valve	75	165	BG00032618
10. O-Ring, Rigid Valve			In Seal Kit
11. Inner Sleeve	50	110	BG00032619
12. Piston	263	578,6	BG00032621
13. Piston Case	655	1441	BG00032620
14. Bushing	18	39,6	BG00032622
15. Piston Retainer Ring	0,1	0,22	BG00032623
16. O-Ring, Bit Retainer Ring			In Seal Kit
17. Bit Retainer Ring	11,5	25,3	BG00032624
18. Guide Sleeve	25	55	BG00032625
19. Break Out Ring, Lower	2,6	5,72	BG00032626
20. Driver Sub	120	264	BG00032627
<b>Seal kit</b>			
1 piece of 3, 1 of 10, 3 of 16	0,3	0,66	BG00032793
<b>Complete hammer</b>			
8 5/8 API Reg Pin			32-3518-SSA/69S
<b>Bit shank</b>			
SD18			

	Weight		Outside diameter		Hammer length		Hammer length with bit			
	kg	lb	mm	inch	mm	inch	Bit closed		Bit extended	
	kg	lb	mm	inch	mm	inch	mm	inch	mm	inch
	1560	3430	410	16,1	2040	80,3	2290	90,3	2340	92,3
Air consumption, cfm					Air consumption, m3/min					
100 psi	150 psi	200 psi			7 bar	10 bar	14 bar			
1430	2120	3000			40,5	60,0	84,9			

# RH350 / N 180 shank

# 18''



Replacement parts	Item description		Weight		Part No.
	kg	lb	kg	lb	
1.	Top Sub	8 5/8 API Reg Pin	333	732,6	BG00032612
2.	Break Out Ring		2,6	5,72	BG00032613
3.	O-Ring, Top Sub				In Seal Kit
4.	Choke, blank		0,1	0,22	BG00047961
	Choke, 1/4"		0,1	0,22	BG00047958
	Choke, 3/8"		0,1	0,22	BG00047959
	Choke, 1/2"		0,1	0,22	BG00047960
5.	Check Valve		0,6	1,32	BG00032614
6.	Check Valve Spring		0,26	0,572	BG00032615
7.	Spacer		2,8	6,16	BG00032616
8.	Make Up Ring		0,23	0,506	BG00032617
9.	Rigid Valve		75	165	BG00032618
10.	O-Ring, Rigid Valve				In Seal Kit
11.	Inner Sleeve		50	110	BG00032619
12.	Piston		275	605	BG00032705
13.	Piston Case		680	1496	BG00032704
14.	Bushing		18	39,6	BG00032706
15.	Piston Retainer Ring		0,1	0,22	BG00032623
16.	O-Ring, Bit Retainer Ring				In Seal Kit
17.	Bit Retainer Ring		15	33	BG00032707
18.	Driver Sub		135	297	BG00032708
<b>Seal kit</b>					
1 piece of 3, 1 of 10, 3 of 16			0,3	0,66	BG00032793
<b>Complete hammer</b>					
8 5/8 API Reg Pin					32-3518-SNA/69S
<b>Bit shank</b>					
N180 NUMA					



	Weight		Outside diameter		Hammer length		Hammer length with bit			
	kg	lb	mm	inch	mm	inch	Bit closed		Bit extended	
	kg	lb	mm	inch	mm	inch	mm	inch	mm	inch
	1574	3460	410	16,1	1993	78,5	2248	88,5	2298	90,5
Air consumption, cfm					Air consumption, m3/min					
100 psi	150 psi	200 psi			7 bar	10 bar	14 bar			
1430	2120	3000			40,5	60,0	84,9			